

Medium handguard with topcover and M-Lok interface system


WARNING

First of all, make sure that the weapon is unloaded, the chamber is empty and sufficient level of safety is provided.

Read the instructions carefully before installing. With careless handling, spring-loaded parts can pop out with enough strength to cause injury.

Remember that careless handling of the weapon can lead to injury or death.

KPYK Industries LLC is not liable for injury, death or damage to property that arose due to incorrect installation, unauthorized modification or unlawful use of this product.

Thank you for purchasing our product. Rest assured that we have made every effort to make this project the best in the class and make happy all its owners.

PRODUCT FEATURES and TECHNICAL DATA

- ✓ Length - 285 mm.
- ✓ Total weight - 360 gr.
- ✓ Installation on standard mounts. No gunsmith needed.
- ✓ M-LOK™ mounts for different accessories
- ✓ Possibility to use both with a native gas tube, and with tubes of other manufacturers
- ✓ Rigid octagonal design with additional stiffening ribs for reliable protection of a barrel
- ✓ Material - aluminium alloy 6082 T66
- ✓ Manufacturing method - milling
- ✓ In all loaded threads we use special stainless steel inserts that increase the possible tightening force of the screws and increase the service life of the thread itself
- ✓ For maximum surface protection, we are using Anodizing or two-component ceramic CERAKOTE coating

INSTALLING

TO MOUNT THE HANDGUARD ON YOUR RIFLE, FOLLOW THESE STEPS

STEP 1

First of all, make sure that the weapon is unloaded, the chamber is empty and sufficient level of safety is provided.

Read the instructions carefully before installing. With careless handling, spring-loaded parts can pop out with enough strength to cause injury.

Remember that careless handling of the weapon can lead to injury or death.

KPYK Industries LLC is not liable for injury, death or damage to property that arose due to incorrect installation, unauthorized modification or unlawful use of this product.

STEP 2

Disassembly of the rifle. Make field strip of your rifle, and remove the original handguard, gas tube cover.


WARNING

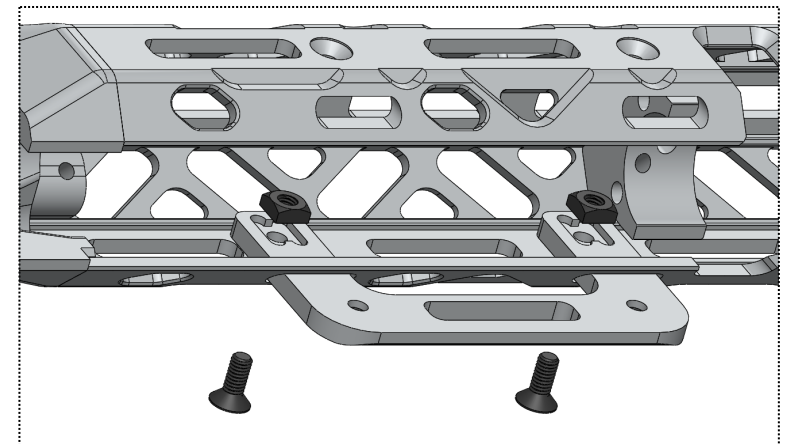
For the reliability of the mounting, we recommend greasing the screws by threadlocker with medium bond strength.

U-SHAPED PLATES INSTALLING.

STEP 3

1. Insert U-shaped plates to the stop.
2. Insert a square nut on top and holding it is not completely tighten the screw.

PICTURE 1

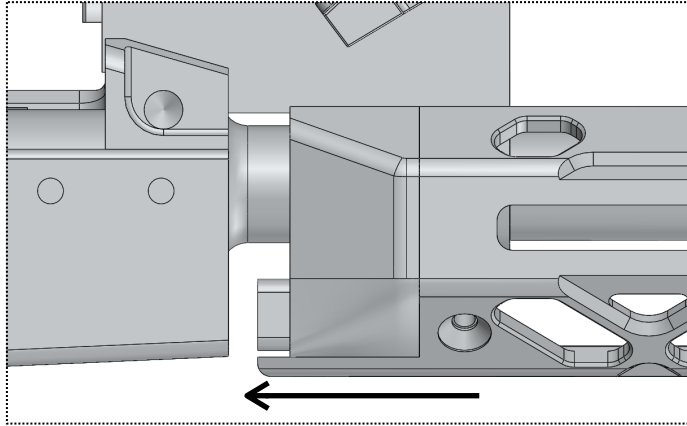


INSTALLATION OF THE HANDGUARD'S LOWER PART.

STEP 4

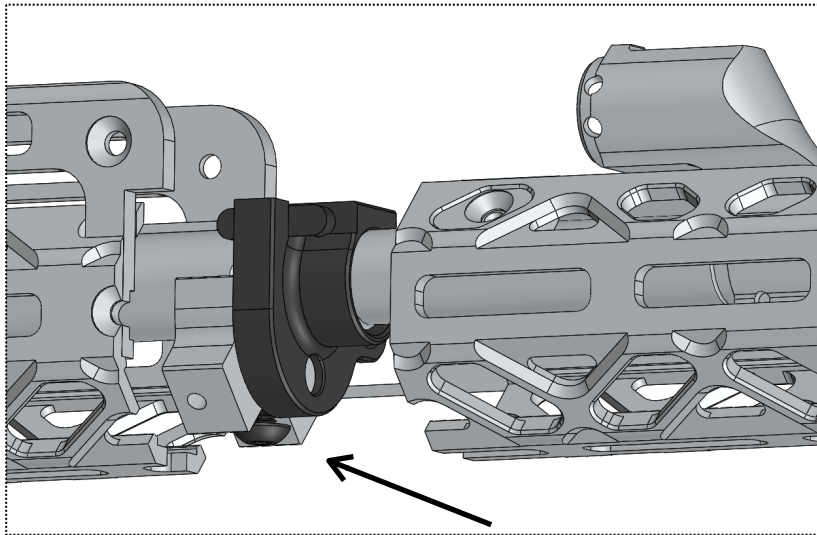
PICTURE 2

1. Insert the bottom of the receiver into the space between the rear flange and the handguard.



2. Install the steel bracket on the front flange of the handguard so that the bracket fits between the protrusion of the flange and the clamping screw.

PICTURE 3

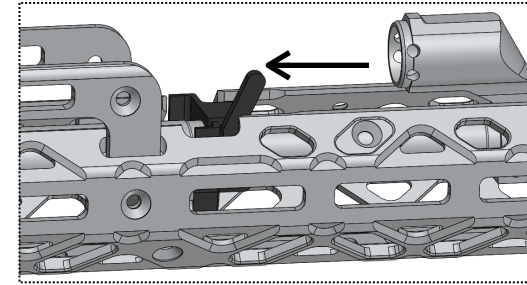


⚠ WARNING If the flange is skewed during installation, it must be pressed. To do this, you can use one of the hex keys.

STEP 5

PICTURE 4

Rotate the forend cap retaining lever into its locked position and then tighten the front flange clamping screw.



STEP 6

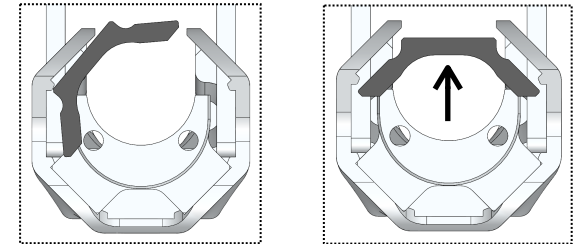
Tighten the clamping screws on the handguard. For more reliable fixing we recommend greasing the screws by threadlocker.

INSTALLATION OF THE SPACER PLATE.

STEP 7

Insert the spacer plate into the middle of the handguard and pull it upwards until the bottom of the spacer plate enters the guide grooves.

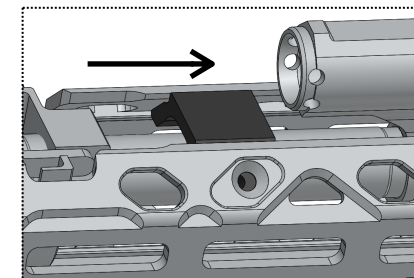
PICTURES 5 and 6



⚠ WARNING If this cannot be done by hand, the spacer plate can be pressed with a hex key through the lower holes.

PICTURE 7

Arrange holes of handguard and spacer plate then tighten the upper screws.

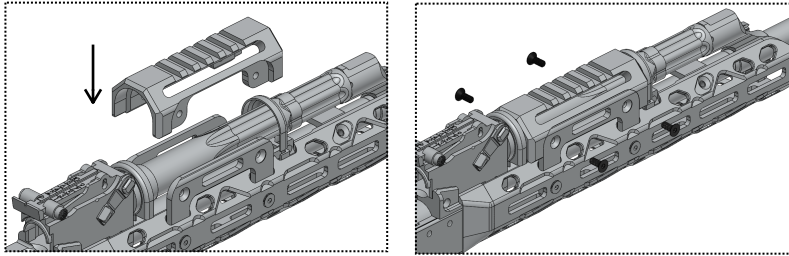


TOPCOVER INSTALLING

STEP 8

Install the gas tube. Then insert the topcover into the mounts and press it to the bottom of the handguard. Keeping the topcover pressed, tighten the lower screws on the U-shaped plates. After that you can tighten the upper screws.

PICTURE 6



! WARNING For cleaning the rifle, we recommend unscrewing only the upper mounting screws of the topcover.

IN THE SET

1. Handguard with spacer plate - 1 pc.
2. U-shaped plates - 2 pc.
3. Topcover - 1 pc.
4. Screws and wrenches kit - 1 pc.

! WARNING For the reliability of the mounting, we recommend greasing the screws by threadlocker with medium bond strength.

WARRANTY and SERVICE LIFE



Service life - unlimited.

12 month warranty. This means that in case of detecting a manufacturing defect during the 12 month, such a product will be replaced with a new analogue or KPYK Industries LLC. (or an authorized representative) make a free repair.

crook.com.ua



Facebook



KPYK Industries LLC
12 Antona Tsedika st., Kyiv 03057, Ukraine
www.crook.com.ua,
inbox@crook.com.ua
All rights reserved

"KPYK" is the registered trademark of KPYK Industries LLC. All rights reserved.

"CERAKOTE" is the registered trademark of NIC Industries, Inc. All rights reserved.

"M-LOK" is the registered trademark of Magpul Industries Corporation. All rights reserved.